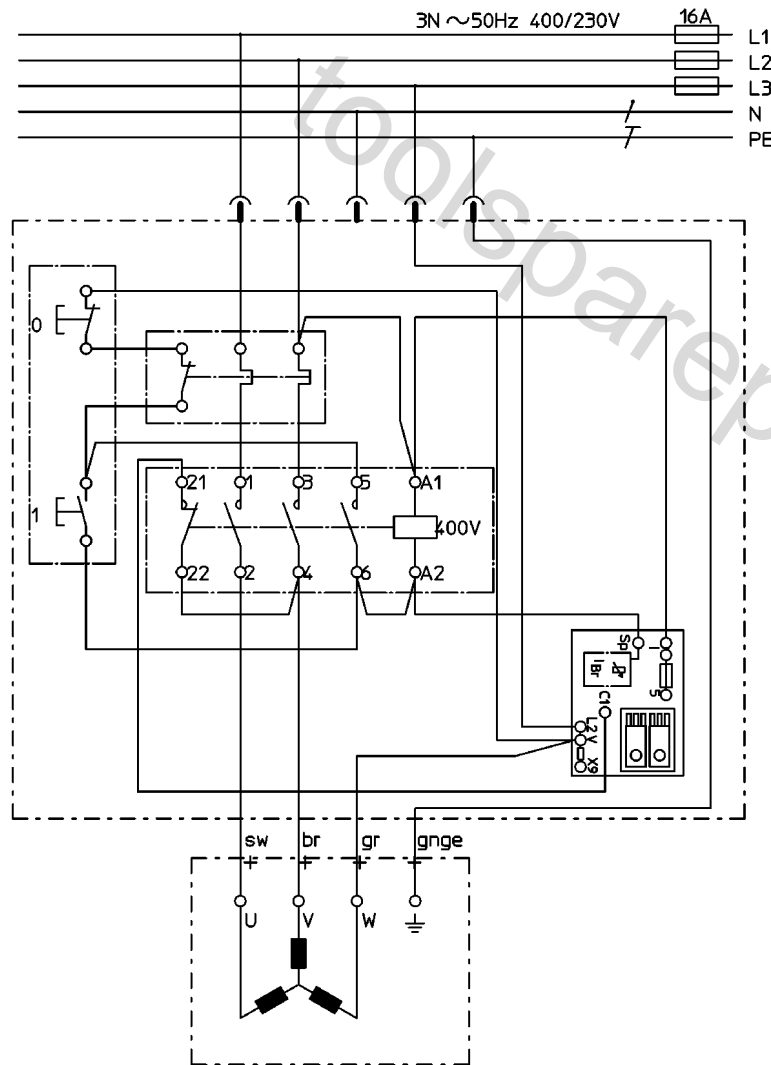


Position	Amount	Type number	Description	PG
1	1	1392205027	TABLE PANEL BL 2,50X736X1071 GRÖBE 1000X	47
2	1	1393205551	TABLE INSERT EXTRUSION 549,5 +-0,3 MM	25
3	1	1392205035	CROSSHEAD BL 2,50X86X656	22
4	1	1392205108	GUARD SUPPORT BRACKET BL 2,99X145X354	23
5	1	1392205043	CHIP CASE BL 2,99X585X874	43
6	1	2010200850	MOTOR SEAT	51
7	1	1392205086	LEVER BL 2,99X90X663,7	24
8	1	1390205755	CLAMPING PAD	28
9	1	1492103558	POINTER BL 2X53X77	14
10	1	1495102323	CLAMPING SHAFT RD 20X247	30
11	1	2391205259	TURN HANDLE RD 50X220	23
12	1	1495105233	BUSHING RD 28X17	16
13	1	1492102810	ARCHED PLATE BL 4X388X40	20
14	1	2390205263	SEAT, ARCHED PLATE 22X21,5X96	18
15	1	2010200914	RIP FENCE	37
16	1	6632111175	BOLT WITH HEAD	13
17	1	2390205484	Cam lock lever	19
18	1	1392205620	Clamping plate, BL 1X26X91,5	12
19	1	1393205560	FENCE GUIDE EXTRUSION 531 MM	31
20	1	1492091649	END PIECE BL 2X26X35	10
21	1	1142205714	SCALE 0,40X13X524	21
22	1	2010200922	MITRE FENCE	32
23	1	2391205283	GUIDE PIECE	19
24	1	1390205739	MITRE FENCE	37
25	1	1010017587	GLIDE PIECE ET	15
26	1	1110205593	ANGLE SCALE	18
27	1	2391205615	CARRIER, VERNIER SCALE	12
28	1	1110205607	VERNIER SCALE 1,00	13
29	1	1392205647	SHIM PLATE BL 0,5X59X79	12
30	1	2380075353	riving knife carrier	21
31	1	1482706092	SPLITTING BLADE BL 3,00X234X329 BKH/BKS4	36
32	1	1382213749	PRESSURE PLATE BL 2,99X80X60	12
33	1	2391205704	SCALE ARC 35X50X318	22
34	1	1110205682	SCALE, HEIGHT ADJUSTMENT 1,00X29X313	19
35	1	1495105225	CHECK NUT 6KT 13X27 / M6	14
36	1	1395205346	THREADED BOLT M 6 GESTR. LÄNGE = 112	13
37	1	1392205116	GUARD SUPPORT PLATE BL 2,99X102X125	14
38	1	1482706106	GUARD SUPPORT BL 3,00X177X315 BKH/BKS450	40
39	1	1382641082	SAW BLADE GUARD CARRIER BL 1,50X70X388	21
40	1	2391206204	SAW BLADE GUARD	28
41	1	1392205418	SAFETY LEVER BL 2,50X30X100	13

42	1	1394201630	Push stick	19
43	1	1492102829	Key	20
44	1	1492103230	LIFTING EYE 2,99X90X112	15
45	1	1495102528	CROSSCUT FENCE GUIDE ROD RD25X986	33
46	1	1492105054	BRACKET BL 4X70X182	18
47	1	1380214560	BLADE COLLAR, INNER RD 30	30
48	1	1380214578	BLADE COLLAR, OUTER	32
49	1	1382214133	SWITCH PLATE BL 2,99X85X180	25
50	1	0910008854	SAW BLADE CR-STEEL 450X2,5X30 Z=36 SP GE	
51	1	1010641019	LEG	30
52	1	1382641031	STANCHION BL 1,5X118X703	25
53	1	1382641058	DIAGONAL STRUT BL 2,5X30X830	26
54	1	1382641074	DIAGONAL STRUT BL 2,5X30X591	20
55	1	1392205060	CAP BL 1,5X520,5X640	32
57	1	2391205380	CLAMPING PAD CAP	17
58	1	2391205186	PLASTIC WASHER RDI 12,2X30X31	10
59	1	6103083956	HEXAGON HEAD SCREW M 12X1,5 LINKS X30 VE	13
60	1	1395205176	COLLAR SCREW M 10 SW 19X37	17
61	1	1495105241	SQUARE SLEEVE 20/20X12	15
62	1	2391203167	BEARING BUSH RD 20/25/30X15 MIT BUND	10
63	1	7051205361	TORSION SPRING RDI 32 RDA 40 X4,0	22
64	1	7051205370	TENSION SPRING RDA 40X190	30
65	1	1395205400	HEXAGON FIT BOLT SW 19X42	17
66	1	7051207240	PRESSURE SPRING	10
67	1	1395205516	SCREW 6KT 17X30 M 8	14
81	1	141123420	Self-tapp. counters. screw	10
82	1	6172015687	CROSS REC'D PAN HEAD TAP.SCREW	10
83	1	6186602763	Fillister head screw w.fill. head screw	10
84	1	6172016683	Fillister head screw	10
85	1	141122870	Self-tap. fill. h. screw	10
86	1	6172047473	CROSS REC'D PAN HEAD TAP.SCREW ST 4,2X9,	10
88	1	6172091014	Fillister head screw	10
89	1	6131047582	CROSS RECESSED FLAT HEAD SCREW M 6X16 VE	10
90	1	6103001178	Hex head screw	10
91	1	141114860	Hexagon head screw	12
92	1	6103005270	HEXAGON HEAD SCREW M 10X20 VERZ.	10
93	1	141110290	Hexagon head screw	12
94	1	6103015675	Hex head screw	10
95	1	6103001356	HEXAGON HEAD SCREW M 6X16 VERZ.FLECKBESC	10
96	1	141113330	Hexagon head screw	12
97	1	141110090	Hexagon head screw	12
98	2	6110000624	CUP SQUARE NECK SCREW M 6X45 VERZ.	10

99	1	6110000640	CUP SQUARE NECK SCREW M 8X25 VERZ.	10
100	1	6110091603	CUP SQUARE NECK SCREW M 10X30 VERZ.	10
101	1	6110085743	CUP SQUARE NECK SCREW M 10X25 VERZ.	10
102	2	6110000624	CUP SQUARE NECK SCREW M 6X45 VERZ.	10
103	1	6110149253	CUP SQUARE NECK SCREW M 12X40 VERZ.	12
104	1	141151940	Washer	10
105	1	141151340	Washer	10
106	1	6300016705	Washer	10
107	2	141150050	Washer	10
108	1	6300019984	Washer	10
109	1	6202002291	HEXAGON NUT, PREV. TORQUE TYPE	10
110	1	6202002305	HEXAGON NUT, PREV. TORQUE TYPE	10
111	2	6202002313	HEXAGON NUT, PREV. TORQUE TYPE	10
112	1	6202024139	HEXAGON NUT, PREV. TORQUE TYPE	10
113	1	6302085941	WAVE SPRING WASHER B 12 VERZ.	10
114	1	6161029309	Grub screw	10
115	1	6205029131	HEXAGON THIN NUT	10
116	1	6104124192	HEXAGON FIT BOLT M 6X3,5X16 VERZ.RUNDUMB	12
117	1	7053063343	CUP SPRING	10
118	1	7053016795	Cup spring	10
119	1	6503016379	CLAMPING SLEEVE 6X36	10
120	1	7016026551	STARLOCK WITH CAP RD 20	13
121	1	7016050711	STARLOCK	10
122	1	6403107385	SERRATED EDGE WASHER ZA 20	10
123	1	1391019971	LAMELLAR PLUG 60X25 VL SCHWARZ	12
125	1	7006073730	RATCHET LOCK LEVER, FEMALE M 10 IG 18 MM	21
126	1	141130100	Hexagonal nut	10
128	1	7000074122	STARKNOB NUT M 10 / RD 63 VERZINKT	14
129	1	6209002432	FLANGE NUT	13
131	1	6442059304	SPACER SLEEVE	10
132	1	8242051328	CABLE CLIP	13
133	1	7006072385	Clamping lever	18
134	1	6721019738	FEATHER KEY A 6X6X36	10
135	1	0100015501	MOTOR, CIRCULAR SAW BENCH 5,50 DNB	68
136	1	8132719579	SWITCH SSK UC400V M=7,8A PHW K3000B/ST6/	58



	Litzenfarben	Colour of strands	Couleur des cordons
BK	schwarz	black	noir
WH	weiß	white	blanc
BU	blau	blue	bleu
YE	gelb	yellow	jaune
RD	rot	red	rouge
TR	transparent	transparent	transparent
BN	braun	brown	brun
GY	grau	grey	gris
GNYE	grün-gelb	green-yellow	vert-jaune
BKWH	schwarz-weiß	black-white	noir-blanc
GN	grün	green	vert
OG	orange	orange	orange
VT	violett	violet	violet
TQ	türkis	turquoise	turquoise

	Bedeutung der Kurzzeichen	Meaning of the symbols	Interprétation des symboles
B	Stecker	plug	fiche
C	Kondensator	condenser	condensateur
D	Funkentstördrossel	interference suppression inductance	inductance d'antiparasitage
E	Elektronik-Baustein	electronic unit	unité électronique
I	Induktionsspule	induction coil	bobine d'inductance
K	Klemme	terminal	borne
L	Licht	light	lumière
M	Motor	motor	moteur
O	Überlastschutz	overload cut-out	déclencheur de surintensité
R	Drehrichtungsumschalter	reversing switch	commutateur droite-gauche
S	Schalter	switch	interrupteur
U	Umschalter	change-over switch	commutateur
X	Elektronik-Element	electronic element	élément électronique